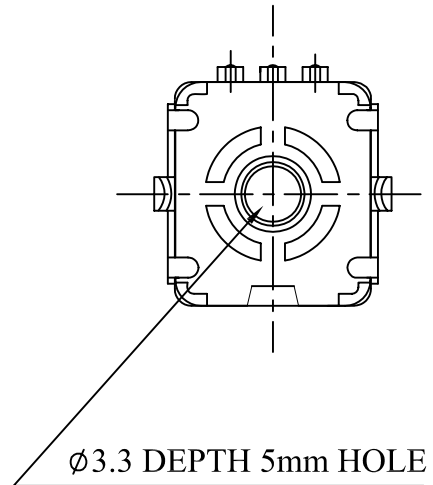
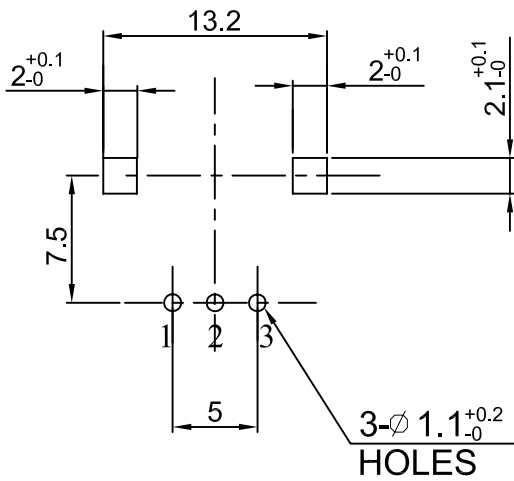


SHAFT SHOWN IN FULL C.C.W POSITION

Mounting hole detail
Viewed from mounting side
P.C.B t=1.6mm



ROHS COMPLIANCE

				Third Angle Projection	MODEL NAME:	12P1VBF-D-15FHT-2B10K-001-6H		
					DRAWING NO.	12P-018		
					CODE NO.			
					PATH:	Pot\Rotary\11mm\11P\Spec		
					DRAWN BY	CHECKED BY	APPROVED BY	
TOLERANCES		UNIT	SCALE	APPROVED SIGNATURES	余倩	Nicole	Ailsa	
less than 10	± 0.3	mm	1 / 1		2012.8.20	2012.8.20	2012.8.20	
above 10-100	± 0.5	VERSION						
above 100	± 0.8	A						
angular dimension	± 5°							